

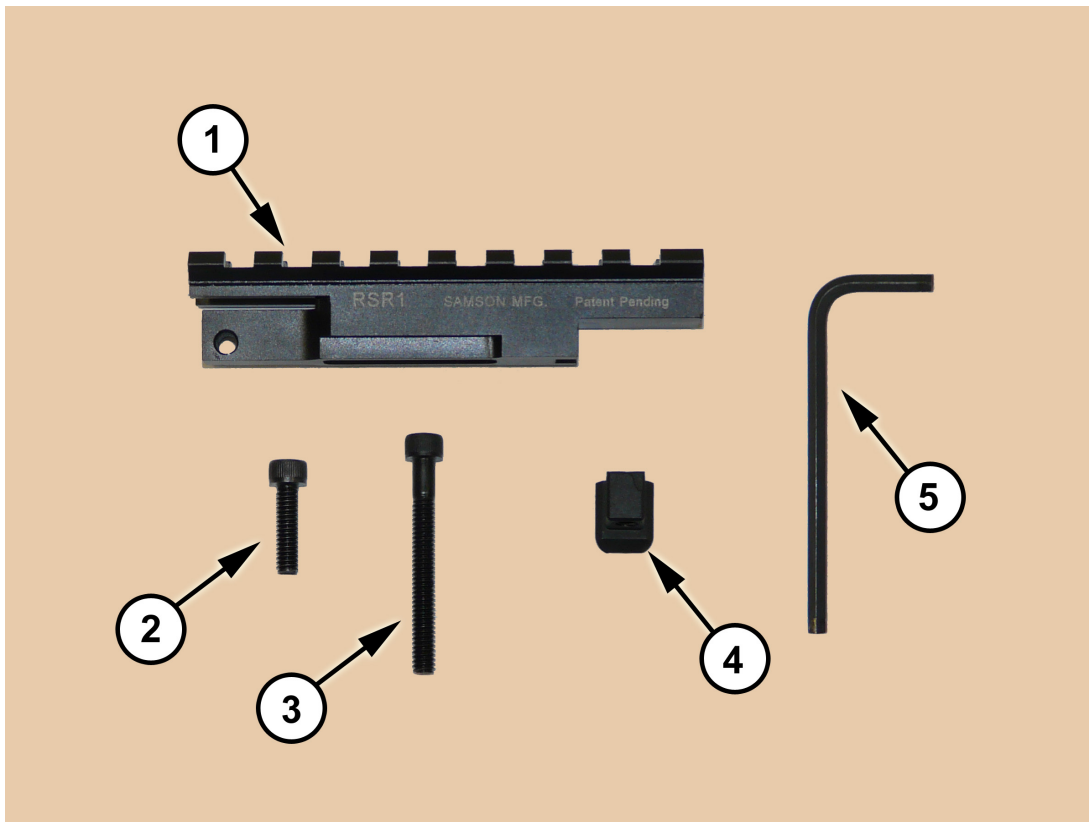
## 1.0 General Information

The Samson AK-47 Rear Sight Rail (RSR) provides a mounting interface for various specialty sights and accessories. It fits all AK-47 models with rear sight and mounts directly to the original rear sight mount. Common attachments include Aimpoint® Micro T1 and EO-Tech® Mini-Holographic sights. Also features a back up rear sight for sighting under any attachments.

Part Number: AK-RSR1  
 Interface: Any AK-47 with rear sight  
 Dimensions: 3.5" Long  
 Weight: 3.5 oz.  
 Material: Steel, Black Oxide Coating  
 CAGE: 037R7

### KIT CONTENTS

ITEM	DESCRIPTION	QUANTITY	NOTES
1	Rear Sight Rail Body	1	
2	8-32 x 5/8 Socket Head Cap Screw	1	Rail Mounting Screw
3	8-32 x 1 1/2 Socket Head Cap Screw	1	Toe Clamp Screw
4	Toe Clamp	1	
5	Hex Head Wrench	1	

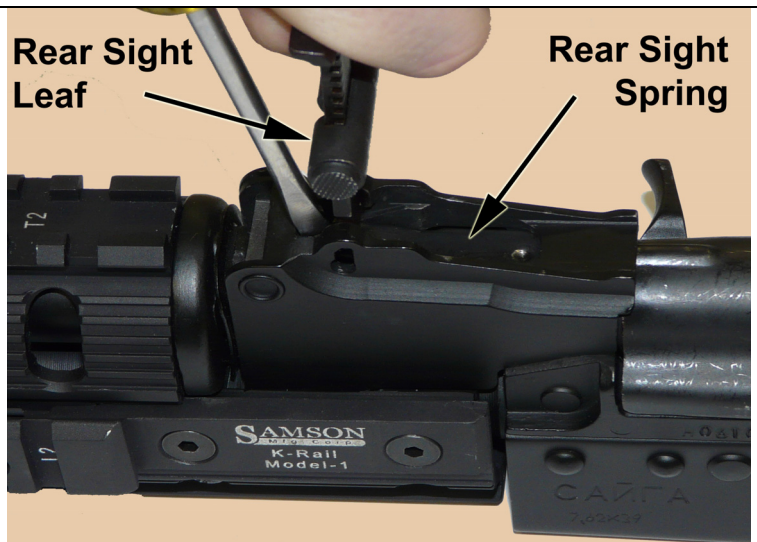


## 2.0 Installation

### 2.1 Remove Existing Sight

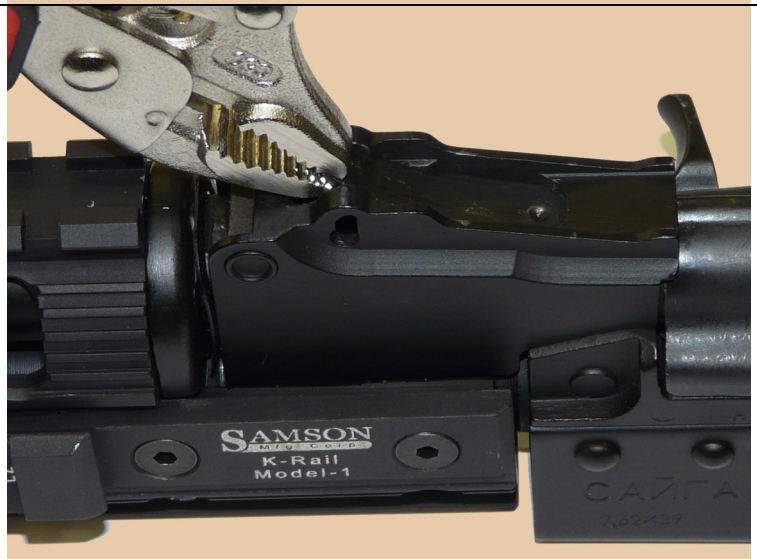
#### 2.1.1 Remove Rear Sight Leaf

Rotate rear sight leaf up. Push and hold down on end of rear sight spring with screwdriver or equivalent tool. Pull rear sight leaf up and out through rear sight base grooves.



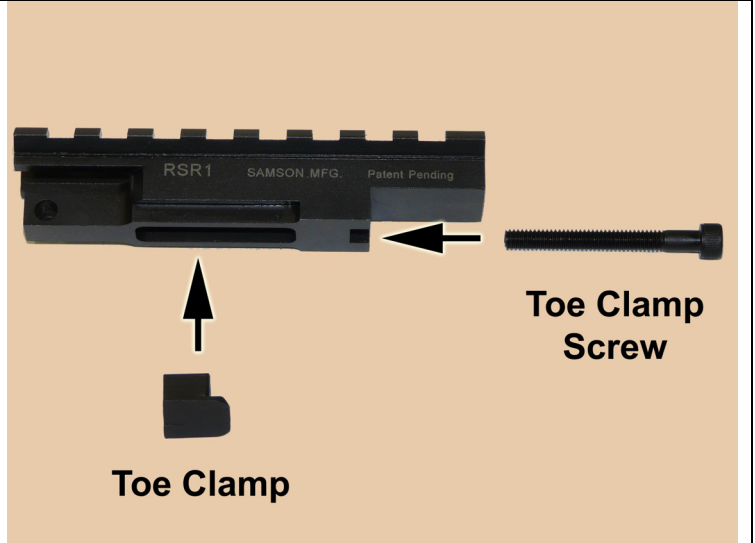
#### 2.1.2 Remove Rear Sight Spring

Grasp end of rear sight spring with pliers or equivalent tool. Pull rear sight spring forward out of rear sight base.



### 2.2 Assemble Rail

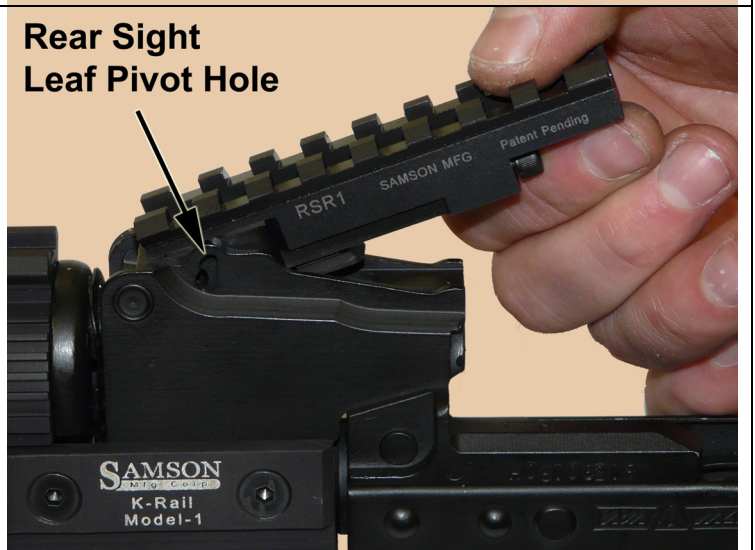
Insert toe clamp (item 3) and into rear sight rail body (item 1) as shown. Insert toe clamp screw (item 3) through body and screw into toe clamp. Do not tighten toe clamp screw.



### 2.3 Insert Rail

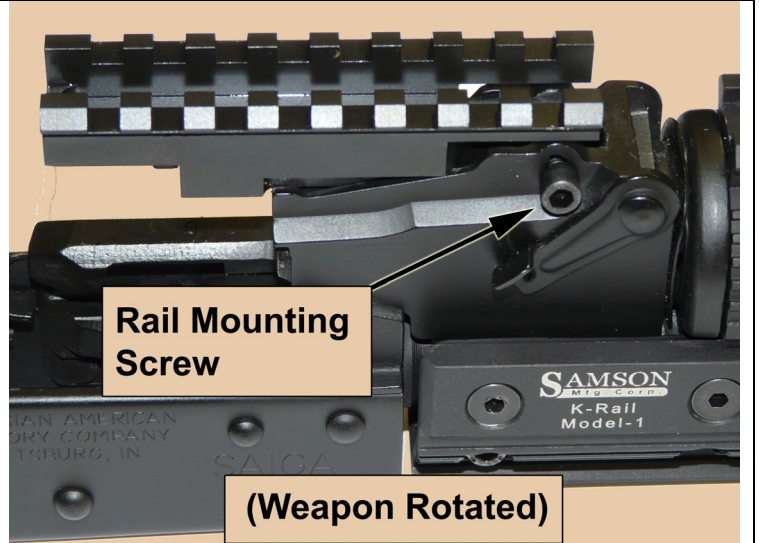
Remove receiver cover and recoil spring assembly as required.

Align assembled rail front mounting hole to rear sight leaf pivot hole. Insert front of assembled rail into rear sight base and rotate down into base. Adjust position of toe clamp as required.



**2.4 Install Rail Mounting Screw**

On opposite side of weapon, insert rail mounting screw.  
Do not fully tighten screw.



**2.5 Tighten Hardware**

Tighten toe clamp screw until toes clamp seats into rear sight base. Tighten rail mounting screw.

